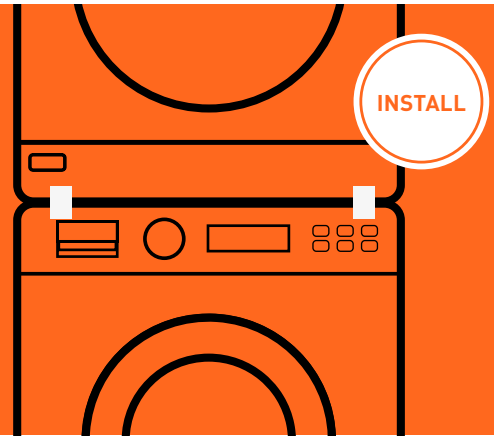


Universal Stacking System – Bracket Kit

Clever, space-saving laundry system

ULX101



DESCRIPTION

Save space in the laundry stacking your dryer on top of your front load washer. The four L-brackets safely and securely stack your front load washing machine and dryer to prevent movement during operation, loading and unloading. It's quick and easy to install. The bracket system has been designed to suit most brands.

Available at leading electrical retailers.



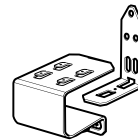
TIPS

- Don't overtighten screws
- To avoid personal injury, use correct equipment and ask for assistance when moving and lifting appliances

CONTENTS

The following items are included in the kit.

- Installation instructions
- 4 x steel brackets
- 2 x spacers
- 8 x securing screws
- 4 x adhesive anti-vibration, anti-slip pads



x4



x2



x8



x4

SUITABLE FOR MOST BRANDS INCLUDING:

AEG
Electrolux
Simpson

Ariston
BEKO
Bosch
Euromaid
Fisher & Paykel
Gorenje
Haier
LG

Miele
Samsung
Siemens
SMEG
Whirlpool

GET IN TOUCH WITH US

For more information on all UNILUX accessories, phone or email our customer care teams

AUSTRALIA

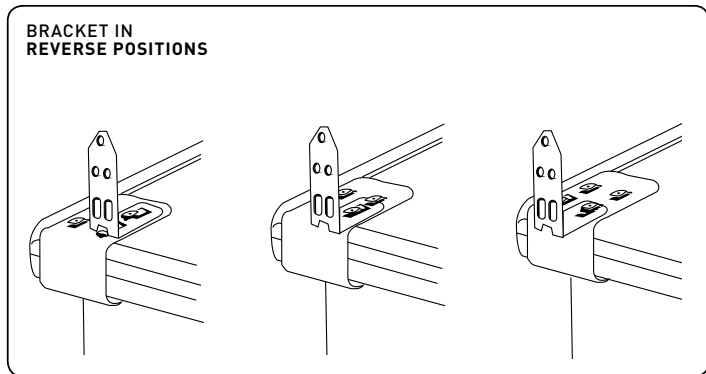
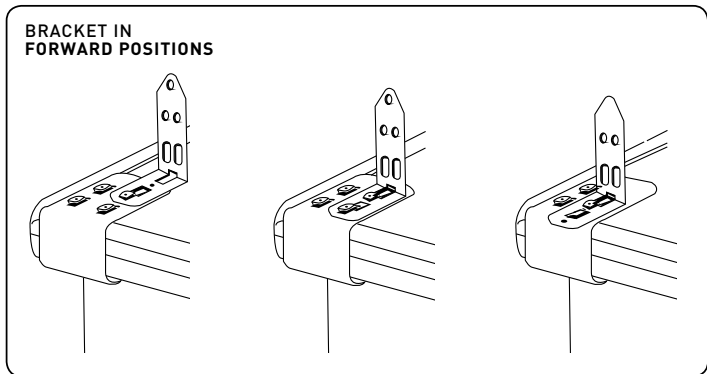
1300 363 640
customer@electrolux.com.au
uniluxaccessories.com.au

NEW ZEALAND

0800 234 234
customer@electrolux.co.nz
uniluxaccessories.co.nz

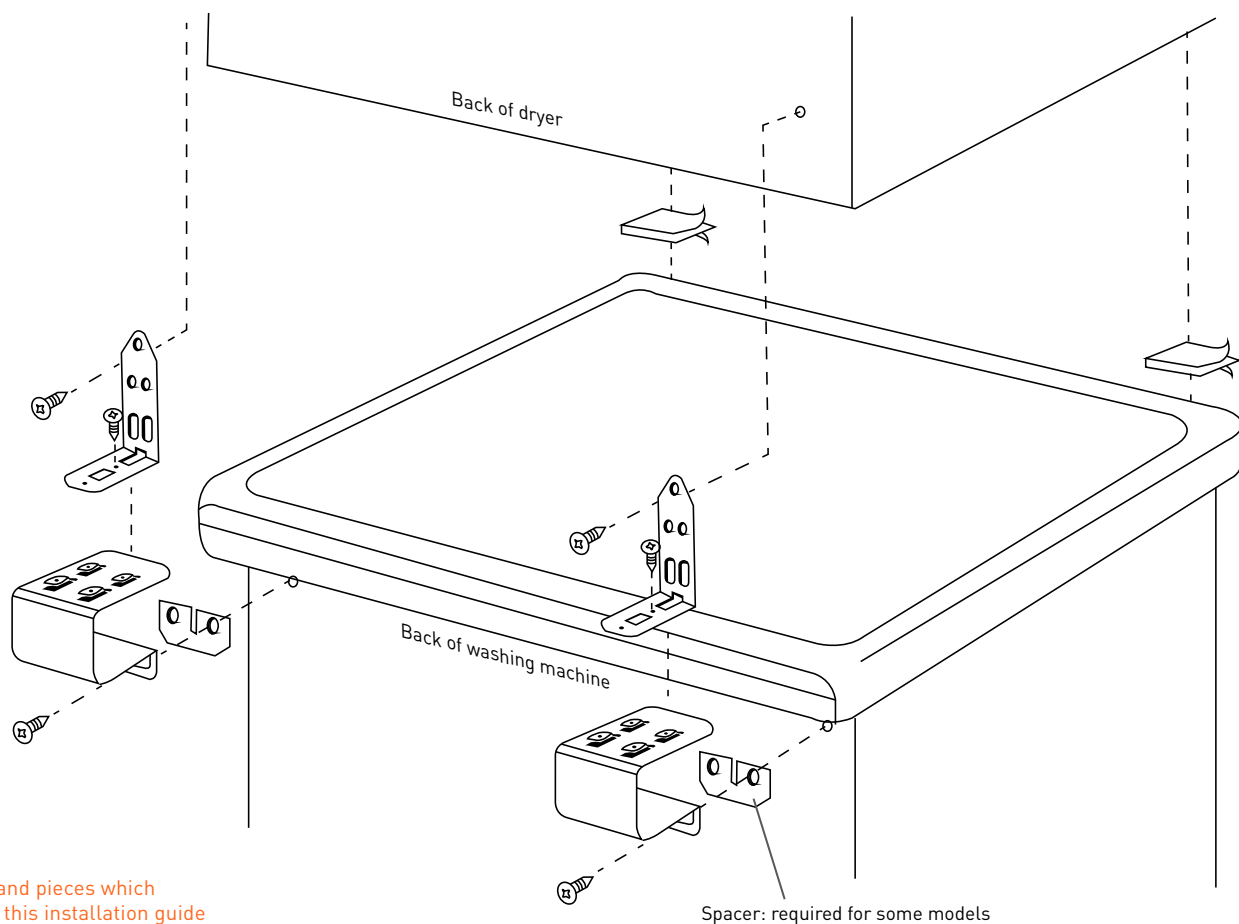
INSTALLATION

BRACKET POSITION OPTIONS - ADJUST TO SUIT YOUR DRYER



INSTALLATION

INSTALLATION INSTRUCTIONS



All parts and pieces which appear in this installation guide are included in the ULX101 pack. Appliances not included.

GET IN TOUCH WITH US

For more information on all UNILUX accessories, phone or email our customer care teams

AUSTRALIA

1300 363 640
customercare@electrolux.com.au
uniluxaccessories.com.au

NEW ZEALAND

0800 234 234
customercare@electrolux.co.nz
uniluxaccessories.co.nz